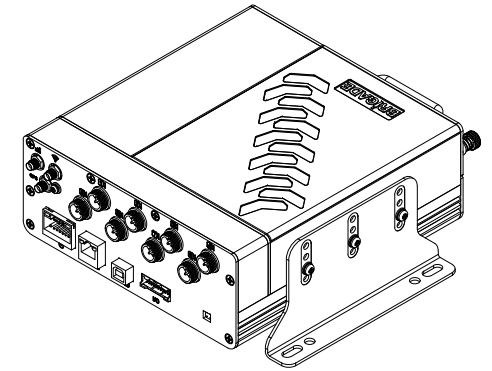
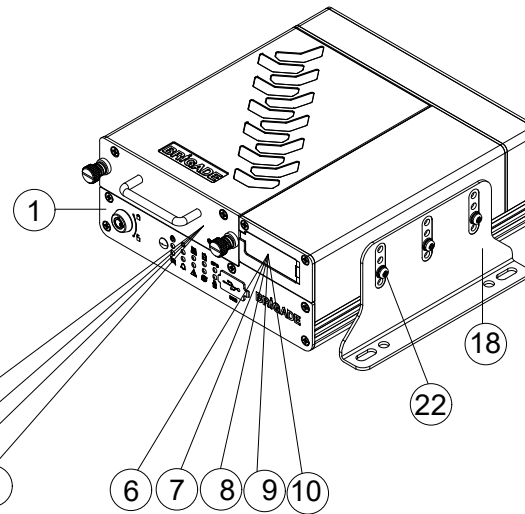
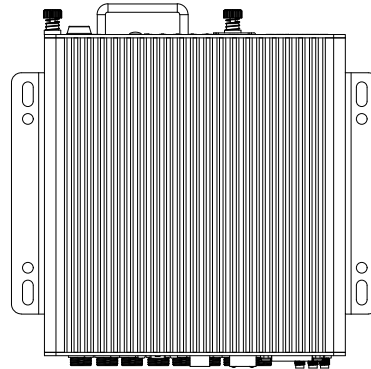
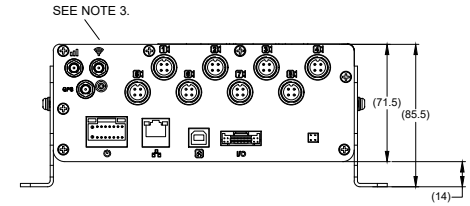
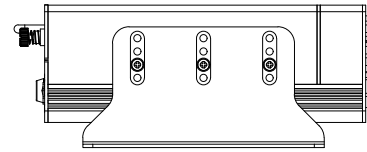
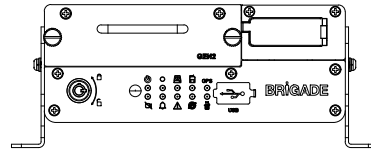
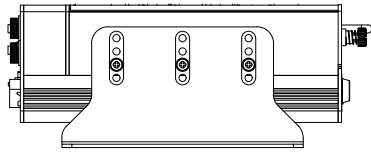
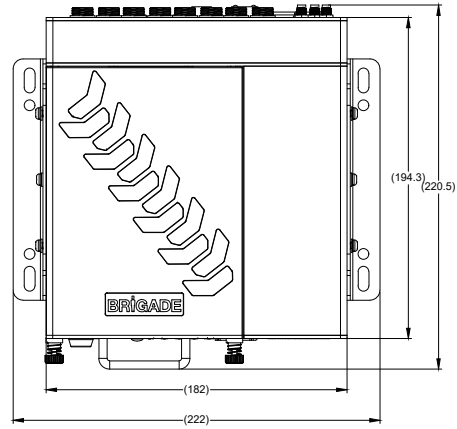


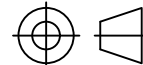
Revision Notes.

R2 - UPDATE MDR FW AND IG VERSION AS PER P1481				
APA: CAROL LI	Drawn:S. ZHANG	Checked:A. KEBEDE	Approved:R. PENTLEY	Date: 11/08/2021
R3 - UPDATE INSTALLATION GUIDE VERSION AS PER CR-A913				
APA: P. BU	Drawn:S. ZHANG	Checked: F. ADEMUJIMI	Approved:A. KEBEDE	Date: 26/05/2022
R4 - UPDATE FIRMWARE VERSION AS PER P1778				
APA: J. LIU	Drawn:P. BU	Checked:S. ZHANG	Approved:D. FOALE	Date: 06/02/2026



- NOTES:
1. REFERENCE INSTRUCTION MANUAL FOR FUNCTIONALITY.
 2. REFER TO COMPONENT DRAWINGS FOR DETAILED COMPONENT INFORMATION.
 3. MOBILE NETWORK AND WIFI CAPABILITIES DEPEND ON MODEL AND AVAILABILITY.
 4. ANY CUSTOMER MODIFICATION OF THIS PRODUCT CAUSING SUBSEQUENT FAILURE IS NOT A LIABILITY OF BRIGADE ELECTRONICS GROUP PLC.
 5. FIXING SCREWS SUPPLIED IN CLEAR PLASTIC BAG.
 6. VARIOUS SYSTEM OPTIONS A TO O CONTAIN RELEVANT COMPONENTS.
 7. FOR ALL LABELS AND PACKAGING REFER TO MASTER BOM.
 8. PART DESCRIPTIONS CONTAINING "*" ARE FOUND WITHIN THE CONTROL UNIT. REFER TO MASTER BOM FOR DETAILS.

PROPRIETARY NOTICE
 THIS DESIGN AND TECHNICAL INFORMATION APPEARING ON THIS DRAWING IS THE PROPERTY OF BRIGADE ELECTRONICS, AND IS DISCLOSED IN CONFIDENCE. IT IS NOT TO BE COPIED, REPRODUCED, REVEALED TO OR EXPROPRIATED BY OTHERS, EITHER IN WHOLE OR IN PART WITHOUT THE EXPRESS WRITTEN CONSENT OF BRIGADE ELECTRONICS.

Sheet 1 of 4	Assembly PI Approval P. BU	Approved by R. PENTLEY	Checked by J. STEWART	Drawn by F. ADEMUJIMI
Customer Approval N/A	Angle of Projection 	Units mm	Scale N/A	Released 13/10/20
		Status RELEASE	MDR-508XX-X-XX-XXX	
		Part No VARIOUS	BE-004440-04-20	

Brigade
 brigade-electronics.com

Revision Notes.				
R2 - UPDATE MDR FW AND IG VERSION AS PER P1481				
APA: CAROL LI	Drawn:S. ZHANG	Checked:A. KEBEDE	Approved:R. PENTLEY	Date: 11/08/2021
R3 - UPDATE INSTALLATION GUIDE VERSION AS PER CR-A913				
APA: P.BU	Drawn:S. ZHANG	Checked: F. ADEMUJIMI	Approved:A. KEBEDE	Date: 26/05/2022
R4 - UPDATE FIRMWARE VERSION AS PER P1778				
APA: J.LIU	Drawn:P. BU	Checked:S. ZHANG	Approved:D. FOALE	Date: 06/02/2026

ITEM	PART NUMBER	QTY	MODEL NUMBER	DESCRIPTION	MCU VERSION	FIRMWARE VERSION
(A)	6244	1	MDR-508-1-G2-CMR	MDR-500 8 CAMERA, 1TB HDD CMR, 64GB SD (GEN2)	T17071201	T260123.04
(B)	6245	1	MDR-508G-1-G2-CMR	MDR-500 4G, 8 CAMERA, 1TB HDD CMR, 64GB SD (GEN2)		
(C)	6246	1	MDR-508GW-1-G2-CMR	MDR-500 4G & WIFI, 8 CAMERA, 1TB HDD CMR, 64GB SD (GEN2)		
(D)	6250	1	MDR-508G-1-G2-CMR(NA)	MDR-500 4G, 8 CAMERA, 1TB HDD CMR, 64GB SD (GEN2) - NA		
(E)	6252	1	MDR-508GW-1-G2-CMR(NA)	MDR-500 4G & WIFI, 8 CAMERA, 1TB HDD CMR, 64GB SD (GEN2) - NA		
(F)	6427	1	MDR-508-1-G2-SSD	MDR-500, 8 CAMERA, 1TB SSD, 64GB SD (GEN2)		
(G)	6428	1	MDR-508G-1-G2-SSD	MDR-500 4G, 8 CAMERA, 1TB SSD, 64GB SD (GEN2)		
(H)	6429	1	MDR-508GW-1-G2-SSD	MDR-500 4G & WIFI, 8 CAMERA, 1TB SSD, 64GB SD (GEN2)		
(I)	6430	1	MDR-508G-1-G2-SSD(NA)	MDR-500 4G, 8 CAMERA, 1TB SSD, 64GB SD (GEN2) - NA		
(J)	6431	1	MDR-508GW-1-G2-SSD(NA)	MDR-500 4G & WIFI, 8 CAMERA, 1TB SSD, 64GB SD (GEN2) - NA		
(K)	6437	1	MDR-508-2-G2-SSD	MDR-500, 8 CAMERA, 2TB SSD, 64GB SD (GEN2)		
(L)	6438	1	MDR-508G-2-G2-SSD	MDR-500 4G, 8 CAMERA, 2TB SSD, 64GB SD (GEN2)		
(M)	6439	1	MDR-508GW-2-G2-SSD	MDR-500 4G & WIFI, 8 CAMERA, 2TB SSD, 64GB SD (GEN2)		
(N)	6440	1	MDR-508G-2-G2-SSD(NA)	MDR-500 4G, 8 CAMERA, 2TB SSD, 64GB SD (GEN2) - NA		
(O)	6441	1	MDR-508GW-2-G2-SSD(NA)	MDR-500 4G & WIFI, 8 CAMERA, 2TB SSD, 64GB SD (GEN2) - NA		

ITEM	①	②	③	④	⑤	⑥
DESCRIPTION	8CH DOCKING STATION *	MDR-500 CADDY UNIT, 1TB HDD CMR (GEN2) *	MDR-500 CADDY UNIT, 500GB SSD (GEN2) *	MDR-500 CADDY UNIT, 1TB SSD (GEN2) *	MDR-500 CADDY UNIT, 2TB SSD (GEN2) *	MDR-508 EXPANSION MODULE WITH 4G & WIFI, 64GB SD CARD (GEN2) *
MODEL NUMBER	MDR-508-DS	MDR-500-1-MCU-G2-CMR	MDR-500-0.5-MCU-G2-SSD	MDR-500-1-MCU-G2-SSD	MDR-500-2-MCU-G2-SSD	MDR-508GW-EXP-G2
PART NUMBER	5150	6243	6201	6202	6203	6255
MDR-508-1-G2-CMR QTY	1	1	-	-	-	-
MDR-508G-1-G2-CMR QTY	1	1	-	-	-	-
MDR-508GW-1-G2-CMR QTY	1	1	-	-	-	1
MDR-508G-1-G2-CMR(NA) QTY	1	1	-	-	-	-
MDR-508GW-1-G2-CMR(NA) QTY	1	1	-	-	-	-
MDR-508-1-G2-SSD QTY	1	-	-	1	-	-
MDR-508G-1-G2-SSD QTY	1	-	-	1	-	-
MDR-508GW-1-G2-SSD QTY	1	-	-	1	-	1
MDR-508G-1-G2-SSD(NA) QTY	1	-	-	1	-	-
MDR-508GW-1-G2-SSD(NA) QTY	1	-	-	1	-	-
MDR-508-2-G2-SSD QTY	1	-	-	-	1	-
MDR-508G-2-G2-SSD QTY	1	-	-	-	1	-
MDR-508GW-2-G2-SSD QTY	1	-	-	-	1	1
MDR-508G-2-G2-SSD(NA) QTY	1	-	-	-	1	-
MDR-508GW-2-G2-SSD(NA) QTY	1	-	-	-	1	-



- NOTES:
1. REFERENCE INSTRUCTION MANUAL FOR FUNCTIONALITY.
 2. REFER TO COMPONENT DRAWINGS FOR DETAILED COMPONENT INFORMATION.
 3. MOBILE NETWORK AND WIFI CAPABILITIES DEPEND ON MODEL AND AVAILABILITY.
 4. ANY CUSTOMER MODIFICATION OF THIS PRODUCT CAUSING SUBSEQUENT FAILURE IS NOT A LIABILITY OF BRIGADE ELECTRONICS GROUP PLC.
 5. FIXING SCREWS SUPPLIED IN CLEAR PLASTIC BAG.
 6. VARIOUS SYSTEM OPTIONS A TO O CONTAIN RELEVANT COMPONENTS.
 7. FOR ALL LABELS AND PACKAGING REFER TO MASTER BOM.
 8. PART DESCRIPTIONS CONTAINING "*" ARE FOUND WITHIN THE CONTROL UNIT. REFER TO MASTER BOM FOR DETAILS.

Sheet 2 of 4	Assembly Pl Approval P. BU	Approved by R. PENTLEY	Checked by J. STEWART	Drawn by F. ADEMUJIMI	
Customer Approval N/A		Units mm	Scale N/A	Released 13/10/20	
		Status RELEASE	MDR-508XX-X-XX-XXX		
		Part No VARIOUS	BE-004440-04-20		

PROPRIETARY NOTICE
THIS DESIGN AND TECHNICAL INFORMATION APPEARING ON THIS DRAWING IS THE PROPERTY OF BRIGADE ELECTRONICS, AND IS DISCLOSED IN CONFIDENCE. IT IS NOT TO BE COPIED, REPRODUCED, REVEALED TO OR EXPROPRIATED BY OTHERS, EITHER IN WHOLE OR IN PART WITHOUT THE EXPRESS WRITTEN CONSENT OF BRIGADE ELECTRONICS.



Revision Notes.				
R2 - UPDATE MDR FW AND IG VERSION AS PER P1481				
APA: CAROL LI	Drawn:S. ZHANG	Checked:A. KEBEDE	Approved:R. PENTLEY	Date: 11/08/2021
R3 - UPDATE INSTALLATION GUIDE VERSION AS PER CR-A913				
APA: P. BU	Drawn:S. ZHANG	Checked: F. ADEMUJIMI	Approved:A. KEBEDE	Date: 26/05/2022
R4 - UPDATE FIRMWARE VERSION AS PER P1778				
APA: J. LIU	Drawn:P. BU	Checked:S. ZHANG	Approved:D. FOALE	Date: 06/02/2026

ITEM	⑦	⑧	⑨	⑩	⑪	⑫	⑬	⑭	⑮
DESCRIPTION	MDR-508 EXPANSION MODULE WITH 4G & WIFI, 64GB SD CARD -NA*	MDR-508 EXPANSION MODULE WITH 4G, 64GB SD CARD (GEN2)*	MDR-508 EXPANSION MODULE WITH 4G, 64GB SD CARD -NA*	MDR-508 EXPANSION MODULE, 64GB SD CARD*	MDR INPUT / OUTPUT CABLE (NOT SHOWN)	MDR POWER CABLE (NOT SHOWN)	MDR GPS ANTENNA (NOT SHOWN)	MDR MOBILE NETWORK ANTENNA (NOT SHOWN)	MDR Wi-Fi ANTENNA (NOT SHOWN)
MODEL NUMBER	MDR-508GW-EXP(NA)	MDR-508G-EXP-G2	MDR-508G-EXP(NA)	MDR-508-EXP	MDR-IO-01	MDR-PWR-01	MDR-ANT-GPS-02	MDR-ANT-MOB-01	MDR-ANT-WIFI-01
PART NUMBER	5506	6254	5541	5146	5142	5141	6118	4989	4990
MDR-508-1-G2-CMR QTY	-	-	-	1	1	1	1	-	-
MDR-508G-1-G2-CMR QTY	-	1	-	-	1	1	1	1	-
MDR-508GW-1-G2-CMR QTY	-	-	-	-	1	1	1	1	1
MDR-508G-1-G2-CMR(NA) QTY	-	-	1	-	1	1	1	1	-
MDR-508GW-1-G2-CMR(NA) QTY	1	-	-	-	1	1	1	1	1
MDR-508-1-G2-SSD QTY	-	-	-	1	1	1	1	-	-
MDR-508G-1-G2-SSD QTY	-	1	-	-	1	1	1	1	-
MDR-508GW-1-G2-SSD QTY	-	-	-	-	1	1	1	1	1
MDR-508G-1-G2-SSD(NA) QTY	-	-	1	-	1	1	1	1	-
MDR-508GW-1-G2-SSD(NA) QTY	1	-	-	-	1	1	1	1	1
MDR-508-2-G2-SSD QTY	-	-	-	1	1	1	1	-	-
MDR-508G-2-G2-SSD QTY	-	1	-	-	1	1	1	1	-
MDR-508GW-2-G2-SSD QTY	-	-	-	-	1	1	1	1	1
MDR-508G-2-G2-SSD(NA) QTY	-	-	1	-	1	1	1	1	-
MDR-508GW-2-G2-SSD(NA) QTY	1	-	-	-	1	1	1	1	1

- NOTES:
1. REFERENCE INSTRUCTION MANUAL FOR FUNCTIONALITY.
 2. REFER TO COMPONENT DRAWINGS FOR DETAILED COMPONENT INFORMATION.
 3. MOBILE NETWORK AND WIFI CAPABILITIES DEPEND ON MODEL AND AVAILABILITY.
 4. ANY CUSTOMER MODIFICATION OF THIS PRODUCT CAUSING SUBSEQUENT FAILURE IS NOT A LIABILITY OF BRIGADE ELECTRONICS GROUP PLC.
 5. FIXING SCREWS SUPPLIED IN CLEAR PLASTIC BAG.
 6. VARIOUS SYSTEM OPTIONS A TO O CONTAIN RELEVANT COMPONENTS.
 7. FOR ALL LABELS AND PACKAGING REFER TO MASTER BOM.
 8. PART DESCRIPTIONS CONTAINING "*" ARE FOUND WITHIN THE CONTROL UNIT. REFER TO MASTER BOM FOR DETAILS.

PROPRIETARY NOTICE
 THIS DESIGN AND TECHNICAL INFORMATION APPEARING ON THIS DRAWING IS THE PROPERTY OF BRIGADE ELECTRONICS, AND IS DISCLOSED IN CONFIDENCE. IT IS NOT TO BE COPIED, REPRODUCED, REVEALED TO OR EXPROPRIATED BY OTHERS, EITHER IN WHOLE OR IN PART WITHOUT THE EXPRESS WRITTEN CONSENT OF BRIGADE ELECTRONICS.

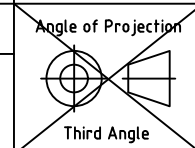
Sheet 3 of 4	Assembly Pl Approval P. BU	Approved by R. PENTLEY	Checked by J. STEWART	Drawn by F. ADEMUJIMI	
Customer Approval N/A	 Angle of Projection Third Angle	Units mm	Scale N/A	Released 13/10/20	Assembly Ref -
 brigade-electronics.com		Status RELEASE	MDR-508XX-X-XX-XXX		
		Part No VARIOUS	BE-004440-04-20		

Revision Notes.				
R2 - UPDATE MDR FW AND IG VERSION AS PER P1481				
APA: CAROL LI	Drawn:S. ZHANG	Checked:A. KEBEDE	Approved:R. PENTLEY	Date: 11/08/2021
R3 - UPDATE INSTALLATION GUIDE VERSION AS PER CR-A913				
APA: P. BU	Drawn:S. ZHANG	Checked: F. ADEMUJIMI	Approved:A. KEBEDE	Date: 26/05/2022
R4 - UPDATE FIRMWARE VERSION AS PER P1778				
APA: J. LIU	Drawn:P. BU	Checked:S. ZHANG	Approved:D. FOALE	Date: 06/02/2026

ITEM	16	17	18	19	20	21	22	23
DESCRIPTION	MDR USB A TO B CABLE (NOT SHOWN)	SECURITY KEY (NOT SHOWN)	2 x MDR BRACKETS	MOUSE (NOT SHOWN)	ENGLISH INSTALLATION GUIDE (NOT SHOWN)	INSTALLATION CD (NOT SHOWN)	7 x FIXINGS FOR MDR BRACKETS	VEHICLE WARNING STICKER (NOT SHOWN)
MODEL NUMBER	MDR-USB-B-02	MDR-KEY-01	MDR-BKT-01	MDR-MOUSE-01	MDR-500xx-IG-EN	MDR-500-CD	MDR-BKT-FIX-01	MDR-VWS
PART NUMBER	5195	4891	5138	5250	6326B	6325	5197	5252
MDR-508-1-G2-CMR QTY	1	1	1	1	1	1	1	1
MDR-508G-1-G2-CMR QTY	1	1	1	1	1	1	1	1
MDR-508GW-1-G2-CMR QTY	1	1	1	1	1	1	1	1
MDR-508G-1-G2-CMR(NA) QTY	1	1	1	1	1	1	1	1
MDR-508GW-1-G2-CMR(NA) QTY	1	1	1	1	1	1	1	1
MDR-508-1-G2-SSD QTY	1	1	1	1	1	1	1	1
MDR-508G-1-G2-SSD QTY	1	1	1	1	1	1	1	1
MDR-508GW-1-G2-SSD QTY	1	1	1	1	1	1	1	1
MDR-508G-1-G2-SSD(NA) QTY	1	1	1	1	1	1	1	1
MDR-508GW-1-G2-SSD(NA) QTY	1	1	1	1	1	1	1	1
MDR-508-2-G2-SSD QTY	1	1	1	1	1	1	1	1
MDR-508G-2-G2-SSD QTY	1	1	1	1	1	1	1	1
MDR-508GW-2-G2-SSD QTY	1	1	1	1	1	1	1	1
MDR-508G-2-G2-SSD(NA) QTY	1	1	1	1	1	1	1	1
MDR-508GW-2-G2-SSD(NA) QTY	1	1	1	1	1	1	1	1

- NOTES:**
1. REFERENCE INSTRUCTION MANUAL FOR FUNCTIONALITY.
 2. REFER TO COMPONENT DRAWINGS FOR DETAILED COMPONENT INFORMATION.
 3. MOBILE NETWORK AND WIFI CAPABILITIES DEPEND ON MODEL AND AVAILABILITY.
 4. ANY CUSTOMER MODIFICATION OF THIS PRODUCT CAUSING SUBSEQUENT FAILURE IS NOT A LIABILITY OF BRIGADE ELECTRONICS GROUP PLC.
 5. FIXING SCREWS SUPPLIED IN CLEAR PLASTIC BAG.
 6. VARIOUS SYSTEM OPTIONS A TO O CONTAIN RELEVANT COMPONENTS.
 7. FOR ALL LABELS AND PACKAGING REFER TO MASTER BOM.
 8. PART DESCRIPTIONS CONTAINING "" ARE FOUND WITHIN THE CONTROL UNIT. REFER TO MASTER BOM FOR DETAILS.

PROPRIETARY NOTICE
 THIS DESIGN AND TECHNICAL INFORMATION APPEARING ON THIS DRAWING IS THE PROPERTY OF BRIGADE ELECTRONICS, AND IS DISCLOSED IN CONFIDENCE. IT IS NOT TO BE COPIED, REPRODUCED, REVEALED TO OR EXPROPRIATED BY OTHERS, EITHER IN WHOLE OR IN PART WITHOUT THE EXPRESS WRITTEN CONSENT OF BRIGADE ELECTRONICS.



Sheet 4 of 4	Assembly Pl Approval P. BU	Approved by R. PENTLEY	Checked by J. STEWART	Drawn by F. ADEMUJIMI
Customer Approval N/A	Units mm	Scale N/A	Released 13/10/20	Assembly Ref -
Status RELEASE		MDR-508XX-X-XX-XXX		
Part No VARIOUS		BE-004440-04-20		